

**MICRO SWITCH**

A DIVISION OF MINNEAPOLIS-HONEYWELL REGULATOR COMPANY  
PULFORD, ILLINOIS

FED. MFR. CODE 91929

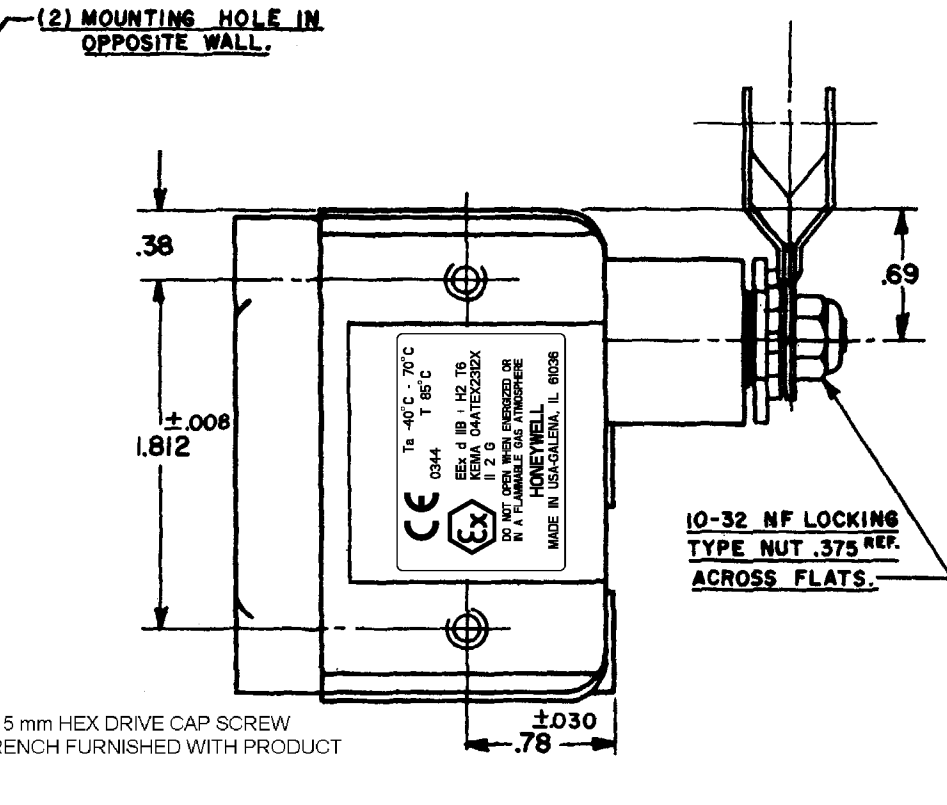
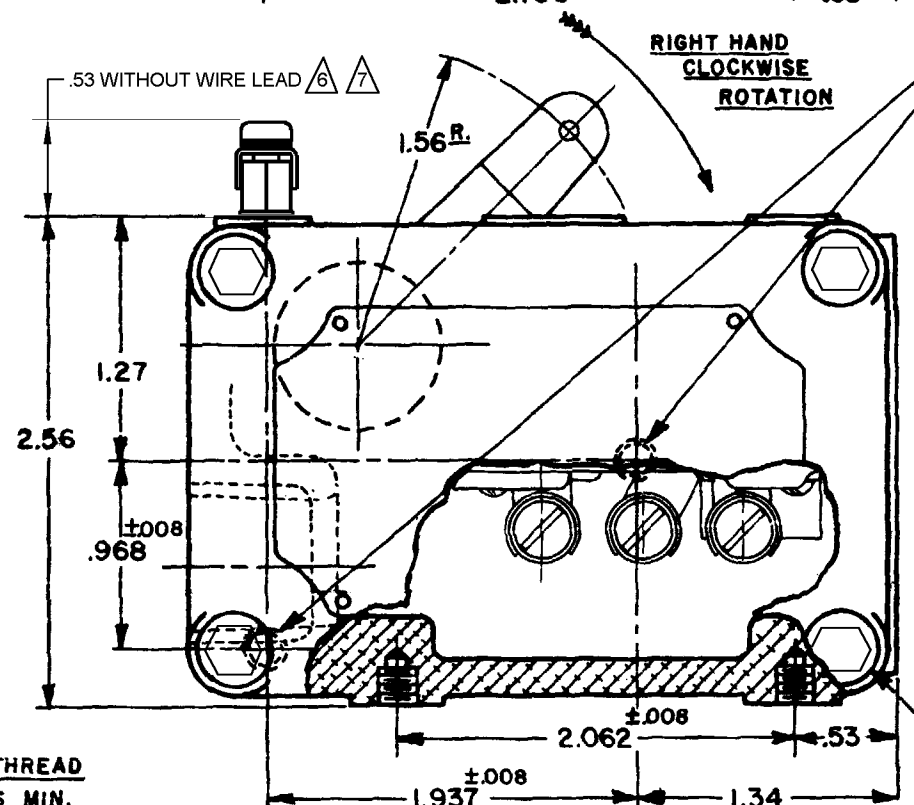
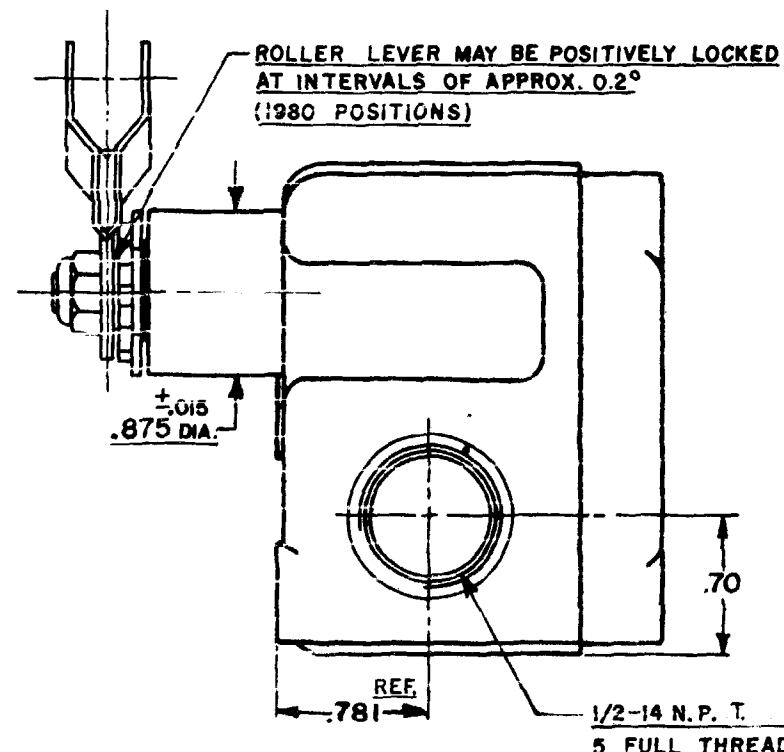
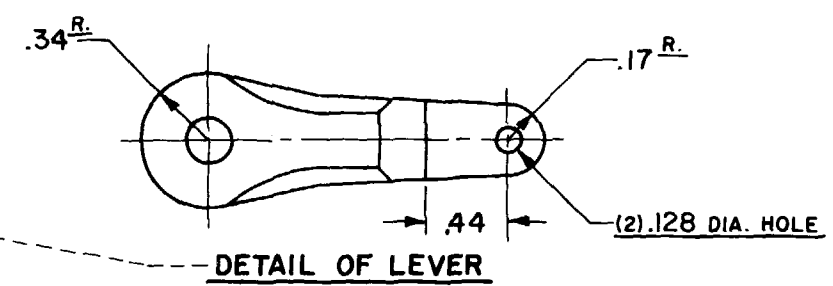
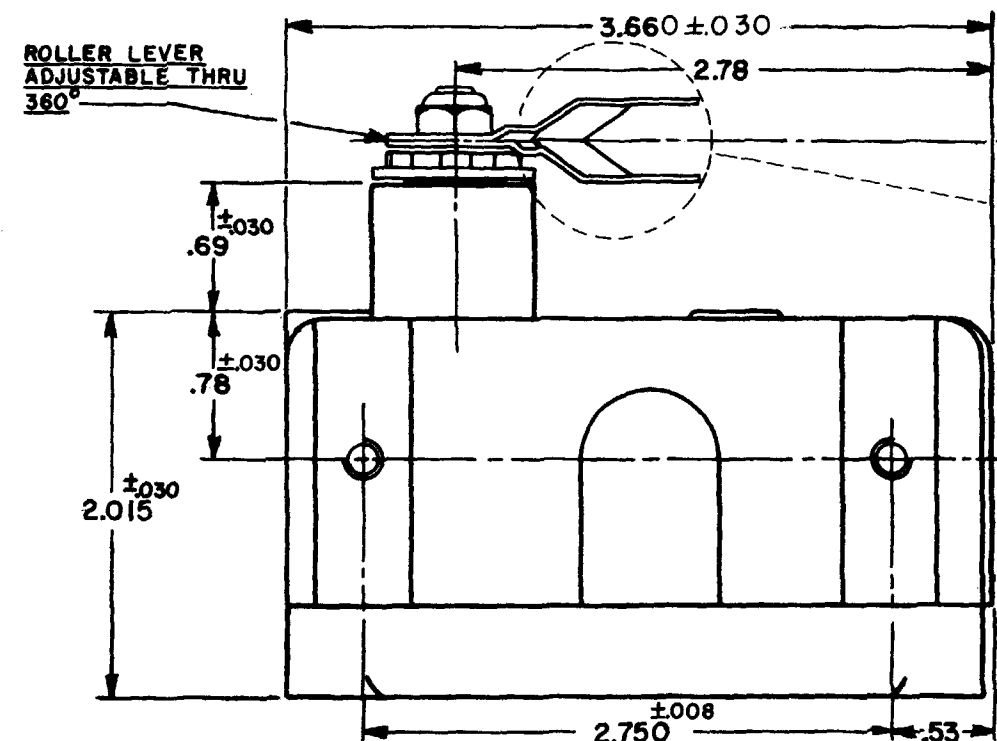
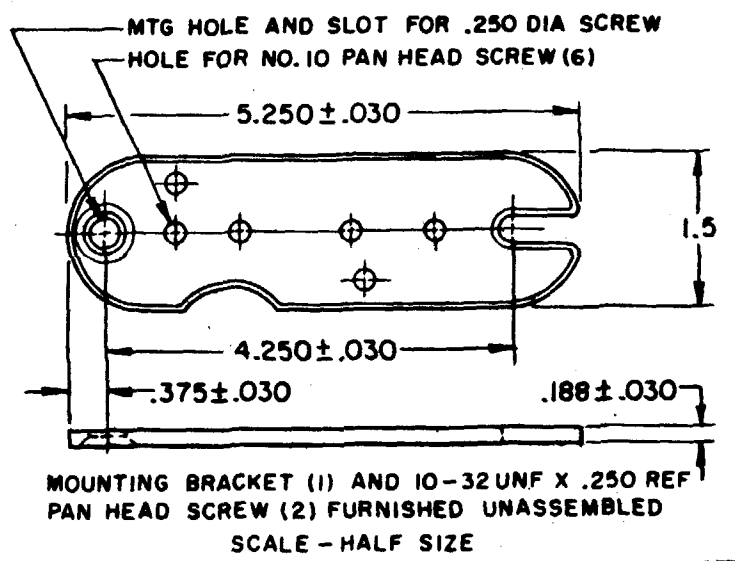
**SWITCH-ENCLOSED**

CATALOG LISTING  
**EX-AR68**

THIS DRAWING COVERS A PROPRIETARY ITEM AND IS THE PROPERTY OF MICRO SWITCH, A DIVISION OF HONEYWELL. THIS DRAWING IS NOT TO BE COPIED OR USED WITHOUT THE APPROVAL OF MICRO SWITCH.

M

EX-AR68  
 DRAWING NUMBER  
 M  
 13  
 27APR05  
 S.R. 5026  
 REPLACES  
 27APR05  
 S.R. 5026  
 CHECK  
 AK  
 REVISIONS  
 A C.O. 11034  
 K. A. F.  
 28 DEC 56  
 B C.O. 15608  
 M.B.F.  
 9 FEB 61  
 C C.O. 17653  
 H.W.  
 22 FEB 64  
 D C.O. 18276  
 R.S.  
 7 JUNE 64  
 E C.O. 19878  
 W.E.G.  
 7 OCT 66  
 F C.O. 26103  
 D.L.F.  
 8 JUL 69  
 G C.O. 31559  
 B.L.H.  
 JUN 73  
 H C.O. 58360  
 C.S.H.  
 NOV 85  
 I C.O. 61381  
 D.A.W.  
 APR 87  
 J C.O. 707158  
 T.S.M.  
 OCT 91  
 DRAWN  
 D.A.W.  
 26 JAN '56  
 CHECK  
 G.C.H.  
 26 JAN '56  
 74-243



CHARACTERISTICS	
OPERATING FORCE	8-20 OZ.
RELEASE FORCE	4 OZ. MIN.
PRETRAVEL	.219 MAX. (8°)
DIFFERENTIAL TRAVEL	.007 MAX. (14°)
OVERTRAVEL	DO NOT OVERTRAVEL MORE THAN 90°.
SWITCH-BASIC REPLACEMENT	BZ-2R-P4

ELECTRICAL DATA	
CONTACT ARRANGEMENT	S.P.D.T.
BREAK DISTANCE	.020 MIN.
TERMINALS	-L96-
VOLTAGE	15 A-125, 250, OR 480 VAC 1/2 A-125 VDC; 1/4 A-250 VDC 1/8 HP-125 VAC; 1/4 HP-250 VAC

SCALE----- FULL	
DO NOT SCALE PRINT	
UNLESS OTHERWISE SPECIFIED DIMENSIONS ARE IN INCHES	
TOLERANCES ARE:	
ONE PLACE	(.0) ±.030
TWO PLACE	(.00) ±.018
THREE PLACE	(.000) ±.008
ANGLES	±
WEIGHT	

**NOTE-**

- (8) MOUNTING SCREW HOLES, 10-32 NF-2B THREADS X .219 REF. DEEP.
- 8-32 NC X .219 REF. TERMINAL SCREWS AND CUP WASHERS.
- EXPLOSION PROOF-UNDERWRITERS LAB. INC. LISTED FOR HAZARDOUS LOCATIONS NEMA 7, CLASS I GROUPS C AND D, NEMA 9, CLASS II GROUPS E, F AND G.
- EUROPEAN HAZARDOUS LOCATIONS DESIGNATION: EEx d IIB + H2 T6 CATEGORY II 2 G
- SEAL RATING: NEMA 1

△ EXTERNAL GROUND SCREW MAY BE ASSEMBLED TO ANY UNUSED MOUNTING SCREW HOLE

▽ ASSEMBLY PROVIDED SPLIT LOCKWASHER BETWEEN GROUND LUG AND HOUSING